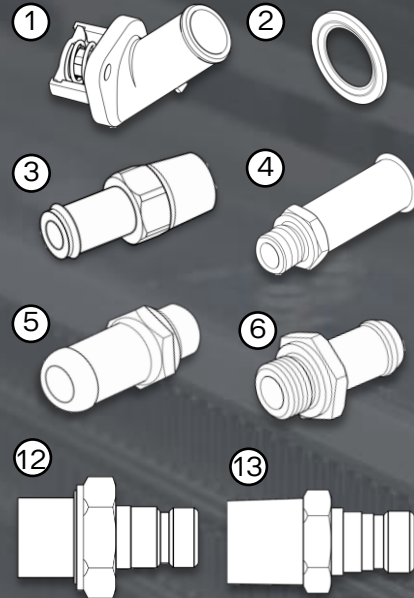
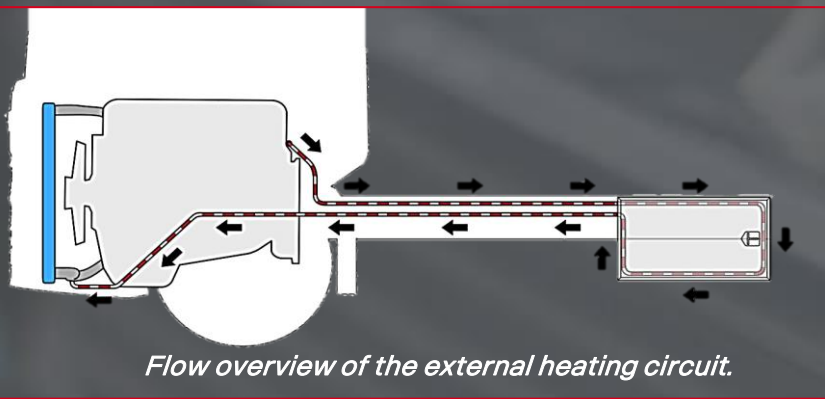


Cooling system



Pos.	Designation	Part number
------	-------------	-------------

Coolant outlet for external heating



All engines types

1	Thermostat	2256956
2	Sealing washer for connecting coolant return and outlet	2279232

7, 9 and 13 litre engines

3	Connection nipple for coolant outlet, 7 litre engines	2387241
4	Connection nipple for coolant outlet, 9 and 13 litre engines (16mm)	303631
5	Connection nipple for coolant outlet, 9 and 13 litre engines (20mm)	1738062
6	Connection nipple for connecting coolant return, 9 and 13 litre engines	1949426
7	Flange pipe for diesel engines without retarder	2007629
8	Flange pipe for diesel engines with retarder	2007625
9	Flange pipe for ethanol/ gas engines without retarder	2007621
10	Flange pipe for ethanol/ gas engines with retarder	2007617

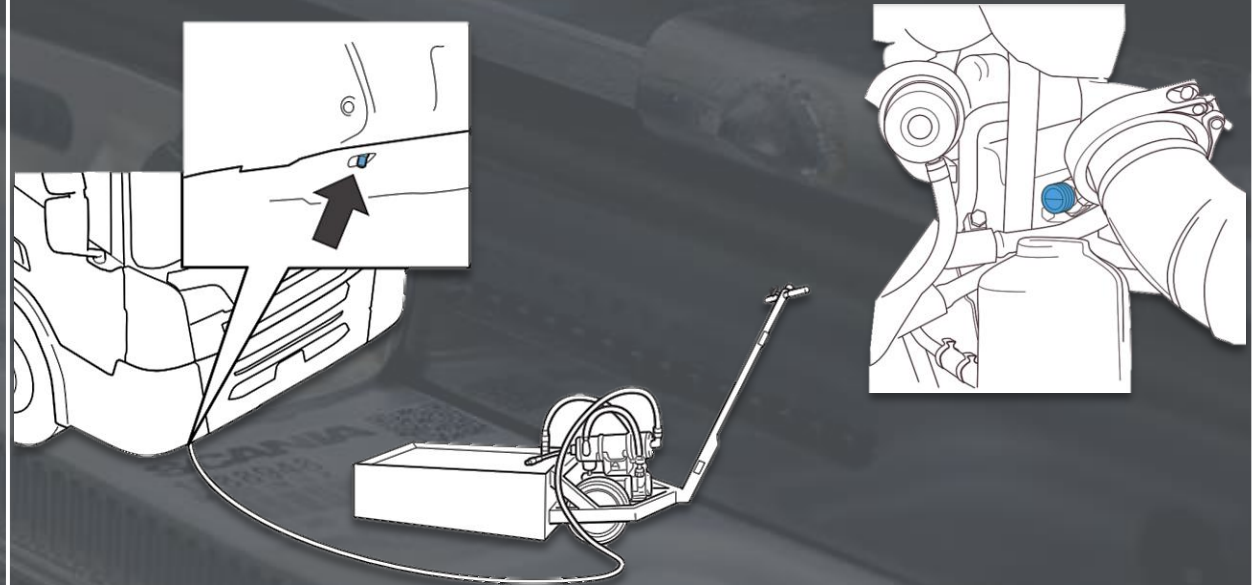
16 litre engines

11	Flange	2178570
12	Connection union for coolant outlet, TEMA series 1800 N (Thread: M20x1.5)	1745705
13	Connection union for coolant return, TEMA series 1800 N (Thread: 1/2-14NPTF)	1379383

Designation	Part number	Overview
-------------	-------------	----------

Coolant outlet for external heating

Work tools



Coolant trolley	588135	
-----------------	--------	--

Coolant filling adapter, TEMA series 1800 N	2437252	
---	---------	--

Adapter (only for vehicles fitted with a retarder), TEMA series 1800 N	99301	
--	-------	--

Filling coolant and bleeding the cooling system

Cooling system tester	587048	
-----------------------	--------	--

Adapter for pressure testing the cooling system	99312	
---	-------	--