

Power take-off and Hydraulic system

Pos.	Designation	Part number
------	-------------	-------------

Power take-off on GZ gearboxes

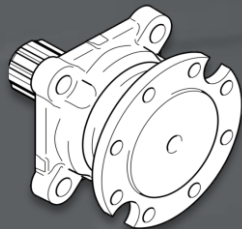
Flange connection, EK and EG top-mounted PTO



1	DIN 150	2597394
2	SAE1410	194999
3	DIN100	1739691

Connection on power take-off to GW gearbox

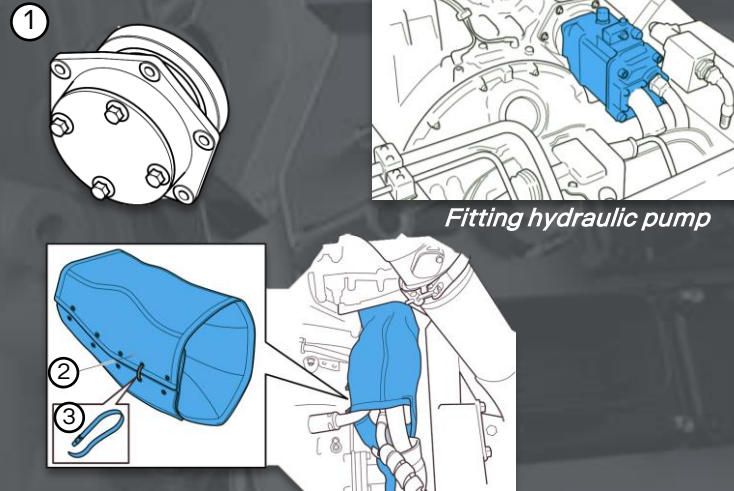
PTO series in GW gearboxes



DIN120	2911084
DIN100	2911085
DIN90	2911086
SAE1410	2911087
SAE1310	2911088

Pos.	Designation	Part number
------	-------------	-------------

Power take-off on engines



1	Drive kit, ED120	2348602
1	Drive kit, ED160	2349678
Fitting hydraulic pump to engine power take-off		
-	Stud M12	800077
-	Flange nut, Thread M12	1485954
-	Thread-locking fluid	561200
2	Heat shield for ED PTO	1926885
3	Cable tie	1534703

Hydraulic pump installation

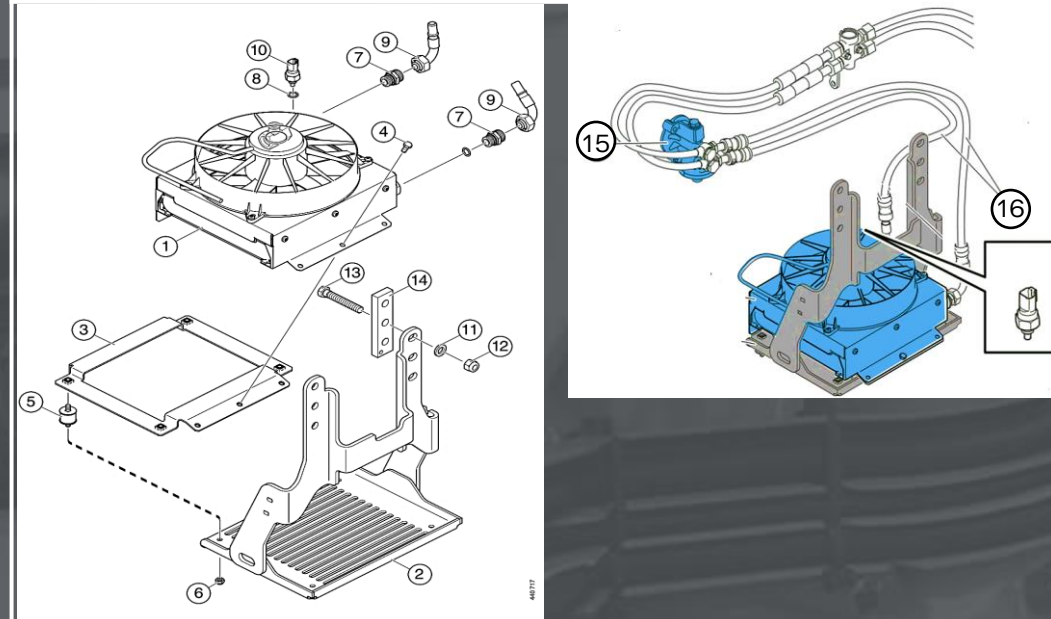
PTO shaft splines lubricated grease	1741697
Nut for fitting hydraulic pump	1546935
Washer for fitting hydraulic pump	1546934
Screw joint tightening tool	99338

Electric vehicles - ePTO

Screw kit, ePTO	2821688
Blueglobe Tri EMC M32 cable fitting, ePTO	2802912

Pos.	Designation	Part number
------	-------------	-------------

Gearbox oil cooler with larger capacity for power take-off



1	Additional oil cooler for gearbox	2234708
2	Bracket	2348029
3	Bracket	2234711
4	Hexagon screw M8x16	808293
5	Vibration insulator	1388070
6	Lock nut M8	807428
7	Straight joint union	2190932
8	Gasket 14.2x19.9x1.5	303098
9	Union	2349090
10	Thermal switch	2165317
11	Washer 15x26x4	815819
12	Lock nut M14	815149
13	Screw M14x50	815622
14	Spacer	2234730
-	Cable harness	2010091
15	Intermediate piece	2543743
16	Oil hose (Between oil cooler and intermediate piece - 3m)	2431902