

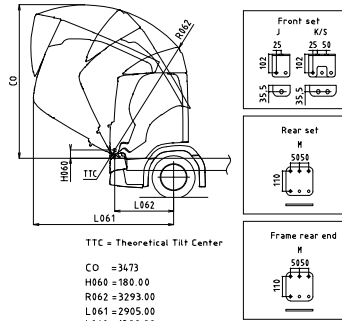
SCANIA ICD (Individual Chassis Drawing)



ICD No	ICD-ordering date	E-mail address	ICD scale	Proj. method
Factory order No	Chassis No	ICD-ics.support@scania.com	1:1	1st angle
		Chassis type	SCANIA	
		P 450 B6x2NA		

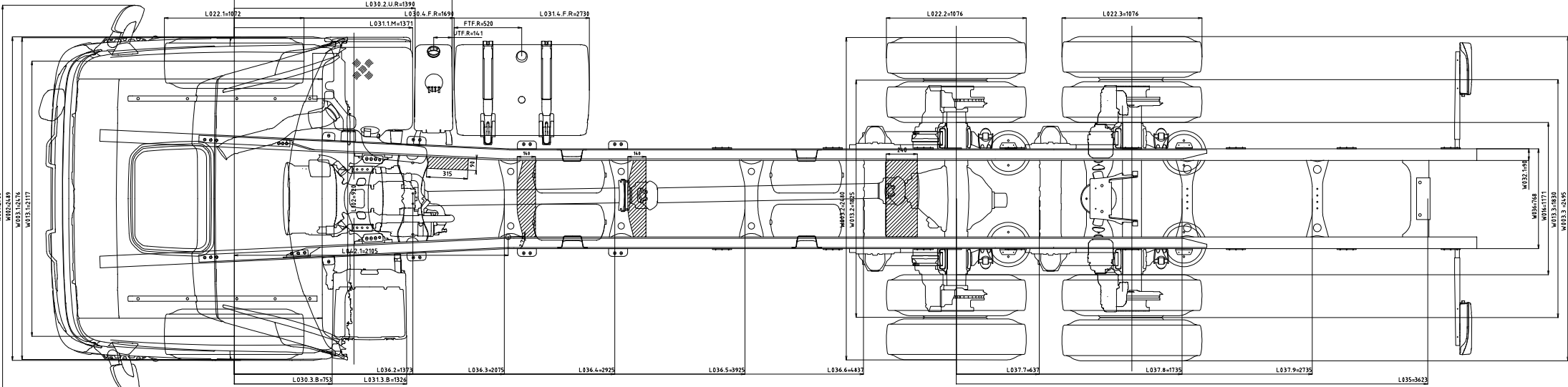
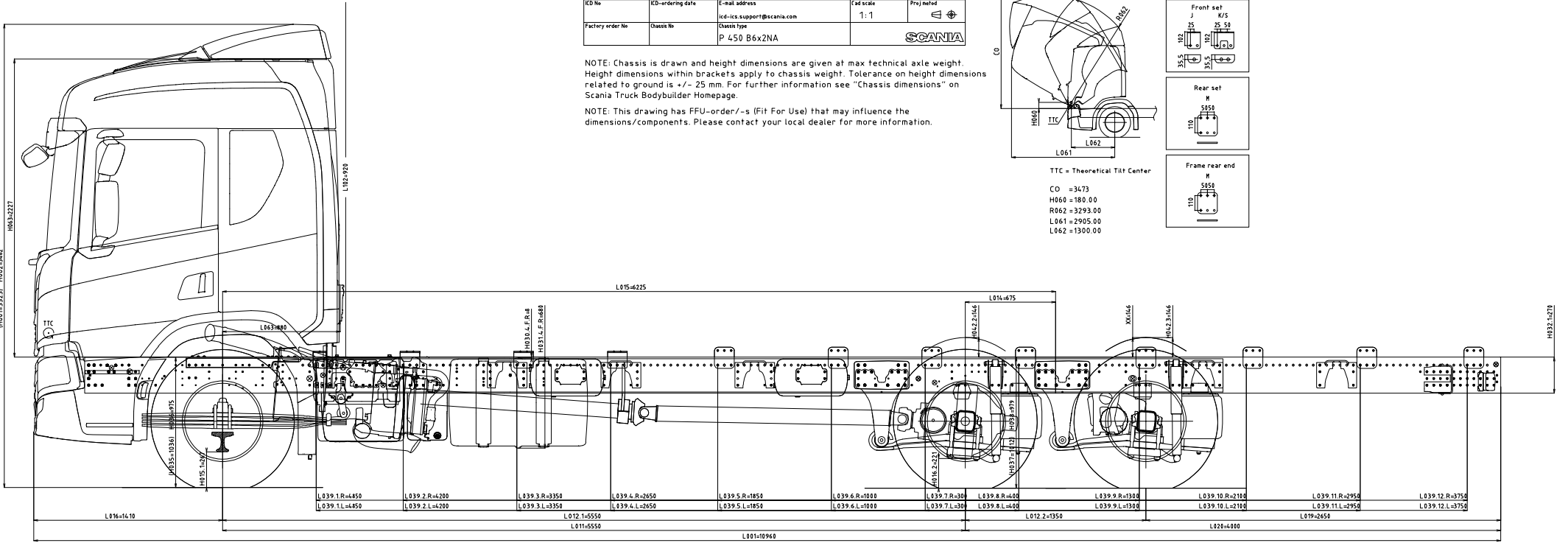
NOTE: Chassis is drawn and height dimensions are given at max technical axle weight. Height dimensions within brackets apply to chassis weight. Tolerance on height dimensions related to ground is +/- 25 mm. For further information see "Chassis dimensions" on Scania Truck Bodybuilder Homepage.

NOTE: This drawing has FFU-order/-s (Fit For Use) that may influence the dimensions/components. Please contact your local dealer for more information.



TTC = Theoretical Tit Center

- CO = 34.73
- H060 = 180.00
- R062 = 3293.00
- L061 = 2905.00
- L062 = 1300.00



= DON'T USE THIS SPACE FOR BODYWORK